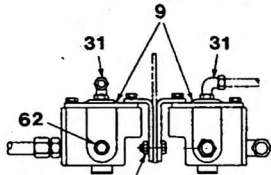
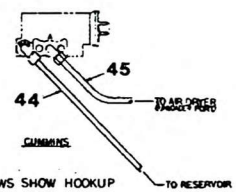


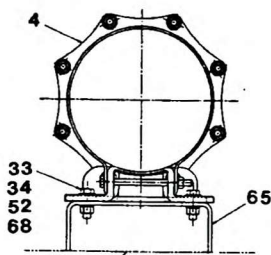
VIEW A-A



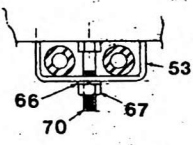
VIEW B-B



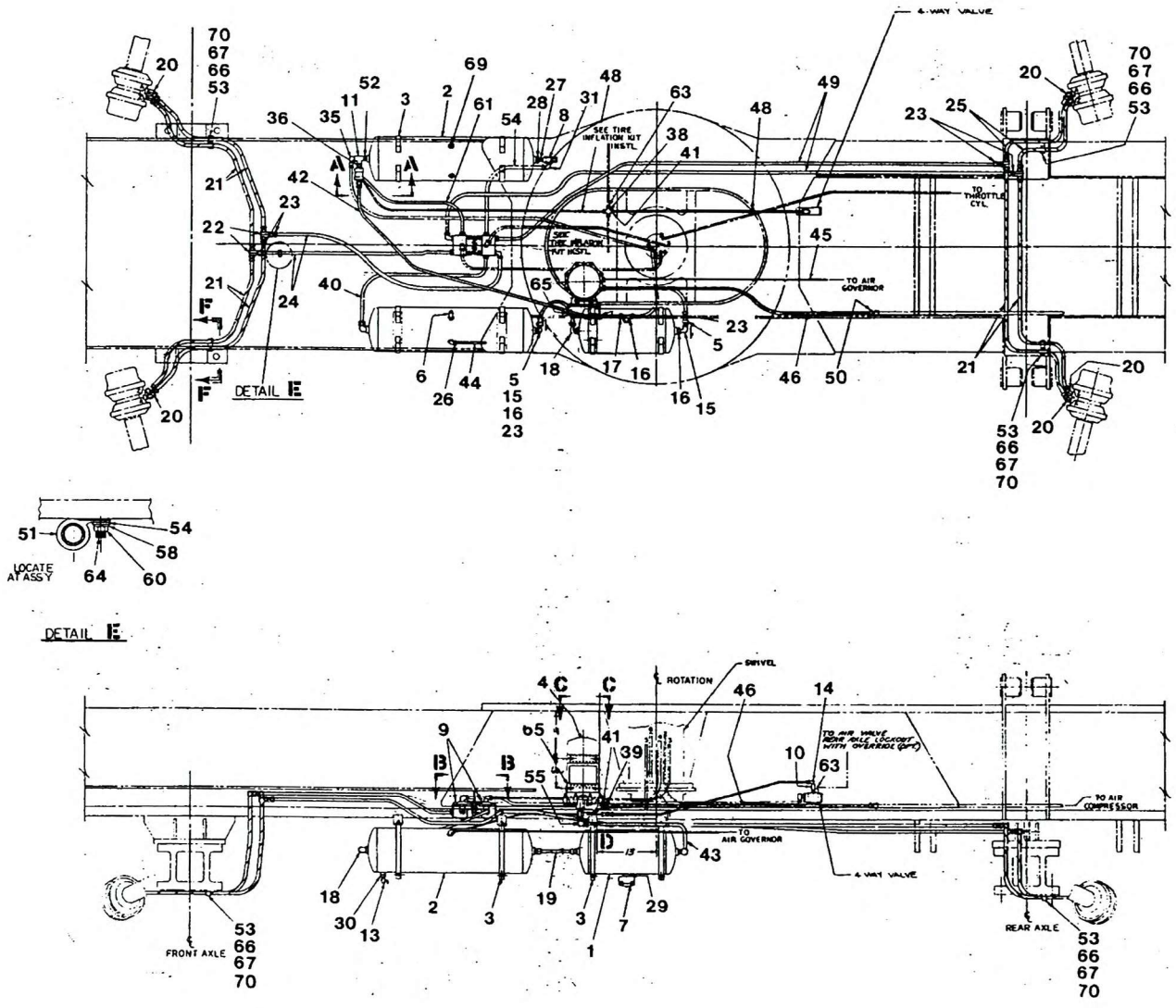
ABOVE VIEWS SHOW HOOKUP
OF AIR GOVERNOR
NO SCALE



VIEW C-C



VIEW F-F



2192600615

(SHEET 1 OF 2)

Page 884